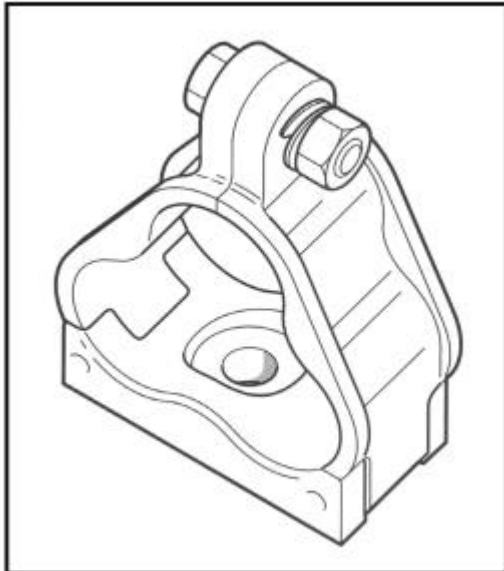


TREFOIL CLEATS - ALUMINIUM - SINGLE AND TWO BOLT

DESCRIPTION



TREFOIL CLEAT - ALUMINIUM ALLOY

- 24 to 76 mm diameter cables in trefoil groups in 33 sizes
- Can be used for all types of cable routes
- Supplied complete with top fastening
- Available as either single or two fixing design
- Plain finish for indoor dry normal industrial use or outdoor unpolluted areas
- Epoxy coated for more hostile conditions
- Operating temperature -60°C to +100°C

SINGLE FIXING

Plain Finish -376AC Type
Epoxy Coated -376AE Type

TWO FIXING

Plain Finish -376AB Type
Epoxy Coated -376AD Type

These cleats are suitable for use at a maximum fault level of 30 kA rms.
Recommended maximum spacings, straight runs 900 mm, vertical bends 300 mm and horizontal bends on each support with, if necessary, intermediate unanchored cleats to limit restraint spacing to 300 mm.

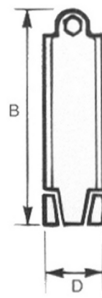
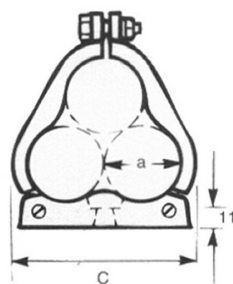
METHOD OF FIXING

In all applications the cleats should be mounted on either one or two M10 fixings as appropriate.
It is essential that they are secured to supports capable of withstanding the prospective short circuit forces.

TREFOIL CLEATS - ALUMINIUM - SINGLE AND TWO BOLT

CABLE AND CLEAT SELECTION				CLEAT DETAILS						
Design No		Cable Diameter A (mm)		Dimensions (mm)					Approx Weight (g)	
376AC** 376AE**	376AB** 376AD**	min	max	B	D	Single fixing C	Two fixing		Single fixing	Two fixing
							C	E		
01	01	24	25	94	38	75	128	102	234	276
02	02	25	27	97	38	75	128	102	241	284
03	03	27	28	100	38	75	128	102	248	291
04	04	28	30	103	38	76	130	104	255	298
05	05	30	32	105	38	79	133	107	269	305
06	06	32	34	106	38	83	135	109	284	312
07	07	34	35	109	38	86	137	110	291	319
08	08	35	36	113	38	89	138	113	298	326
09	09	36	38	116	38	92	140	114	305	333
10	10	38	40	119	38	95	145	118	312	340
11	11	40	41	122	38	99	147	121	319	347
12	12	41	43	124	38	105	149	123	326	354
13	13	43	44	127	38	108	150	124	340	369
14	14	44	46	130	38	112	154	128	354	383
15	15	46	48	133	38	114	156	129	361	390
16	16	48	49	137	38	118	159	133	369	397
17	17	49	51	140	38	121	165	135	376	404
18	18	51	53	143	38	124	165	137	383	411
19	19	53	54	146	38	127	172	141	390	418
20	20	54	55.5	155	44	133	183	152	503	560
21	21	55.5	57	158	44	137	187	155	517	574
22	22	57	59	160	44	141	189	157	532	588
23	23	59	60	163	44	145	191	160	546	602
24	24	60	62	165	44	148	194	162	552	617
25	25	62	63.5	168	44	152	196	165	567	631
26	26	63.5	65	172	44	156	199	168	581	645
27	27	65	66.5	176	44	160	202	170	602	666
28	28	66.5	68	178	44	164	205	173	624	687
29	29	68	70	181	44	168	208	176	652	716
30	30	70	71.5	187	44	171	215	183	680	745
31	31	71.5	73	190	44	175	217	186	695	758
32	32	73	74.5	193	44	179	220	188	709	773
33	33	74.5	76	197	44	183	222	191	722	787

Single Fixing



Two Fixings

